

客户承认书

SPECIFICATION FOR APPROVAL

CUSTOMER/客户: _____

CUSTOMER PN/客户物料号: _____

MODEL NO./产品型号: PT6526U

PRODUCT NO./产品编号: _____

SAMPLE DATE/送样日期: 2025/10/25 (white/白色)

CUSTOMER AUTHORIZED SIGNATURE/客户承认签核		

Please return to us one copy of "SPECIFICATION FOR APPROVAL" with you approved signature./客户确认签字，盖章后请回传一份承认书给我司。

Fabricate/拟制	Audit/审核	Approve/批准
乔彩红	李航	刘泞波

** Table Of Content/目录 **

1. SCOPE 描述.....	2
1.1. Description	3
2. Input Characteristics/输入特性.....	3
3. Output Characteristics/输出特性.....	3
3.1. * Single-port voltage/current /OCP test standard/单口电压/电流/OCP 标准.....	3
3.2. * Single-port/multi-port combined power distribution table/单口/多口组合功率分配表.....	3
3.3. * Energy efficiency characteristics/能效特性.....	4
3.4. * Output ripple/输出纹波.....	4
3.5. * Protocol compatibility/ 协议兼容性.....	4
3.6. Protection function test 保护功能测试.....	5
4. Environment Requirements/环境要求.....	6
4.1. Operating Temperature and Relative Humidity/操作温/湿度要求.....	6
4.2. Storage Temperature and Relative Humidity/存储温/湿度要求.....	6
4.3. Vibration/振动.....	6
4.4. * Drop/跌落.....	6
5. Reliability Requirements/可靠性要求.....	6
5.1. * Burn-in/老化.....	6
5.2. MTBF.....	6
6. EMI/EMS Standards 标准.....	6
6.1. EMI Standards/EMI 标准.....	6
6.2. EMS Standards/EMS 标准.....	7
7. Safety Standards/安规标准.....	8
7.1. * Dielectric Strength(Hi-pot)/介电耐压强度(高压).....	8
7.2. * Leakage Current/漏电流.....	8
7.3. Insulation Resistance/绝缘阻抗.....	8
7.4. Regulatory Standards/安规标准.....	8
8. Match. Outline Drawing/外观示意图.....	9
9. Nameplate Drawing 铭牌示意图.....	10
10. Package Drawing/包装示意图.....	11

1. SCOPE 描述

This product is a consumer product. It can be used for intelligent identification and charging of Bluetooth devices, mobile phones, tablets and other digital electronic products. It is an AC to DC converter with

combination of portable travel charger.

本产品是一款消费类产品，可为蓝牙设备，手机、平板电脑等数码类电子产品进行智能识别充电.是一款 AC to DC 转换器,输出接口为多口组合的便携式旅行充电器。

1.1. Description

USB CHARGER/ USB 充电器

SMPS Adaptor(Desktop)/桌面型适配器

Open Frame/开放式结构

Others/其他

“*”is the company's production and QA must test items.“*”是公司生产及 QA 必测项目。

2. Input Characteristics/输入特性

2.1 *	Input voltage range 输入电压范围	90Vac - 264Vac
2.2 *	Normal voltage range 额定输入电压范围	100Vac - 240Vac
2.3 *	Input frequency range 频率范围	47Hz-63Hz
2.4 *	Rated input frequency 额定频率	50Hz/60Hz
2.5 *	Maximum input current 最大输入电流	1.5Amax. at full load condition
2.6	Surge current(cold start) 浪涌电流	80Amax. @ 264Vac input

3. Output Characteristics/输出特性

3.1. * Single-port voltage/current /OCP test standard/单口电压/电流/OCP 标准

Type-C1/C2 (65W)	port output /输出	MIN 最小 (V/A)	Standard 标准(V/A)	MAX 最大 (V/A)	OCP (A)
	5V Voltage /电压	4.75	5.0	5.25	
Current /电流	0.0	3.0		3.1-3.9	
9V Voltage /电压	8.55	9.0	9.45		
Current /电流	0.0	3.0		3.1-3.9	
12V Voltage /电压	11.4	12.0	12.60		
Current /电流	0.0	3.0		3.1-3.9	
15V Voltage /电压	14.25	15.0	15.75		
Current /电流	0.0	3.0		3.1-3.9	
20V Voltage /电压	19.0	20.0	21.0		
Current /电流	0.0	3.25		3.3-4.2	

3.2. * Single-port/multi-port combined power distribution table/单口/多口组合功率分配表

Serial number	Type-C1 (伸缩线)	Type-C2	TOTAL
Single port output/ 单口输出	65W	/	65W
	/	65W	65W
Two ports are output at the same time	45W	18W	63W
	18W	45W	63W
	30W	30W	60W

2 口同时输出	Start power reduction when NTC reaches 100°C/当 NTC 达到 100°C时开启降功率: 45W+18W → 42W+18W	
Output decomposition/ 输出分解	C1	65W: 5V3A;9V3A;12V3A;15V3A;20V3.25A; PPS:5-21V 3A (65W Max) ;
		45W: 5V3A;9V3A;12V3A;15V3A;20V2.25A; PPS:5-21V 2.1A;
		42W: 5V3A;9V3A;12V3A;15V2.8A;20V2.1A; PPS:5-21V 2A;
		30W: 5V3A;9V3A;12V2.5A;15V2A;20V1.5A; PPS:5-11V 3A(30Wmax);
		18W: 5V3A;9V2A;12V1.5A;
	C2	65W: 5V3A;9V3A;12V3A;15V3A;20V3.25A; PPS:5V-11V 5A (55W Max) ;
		45W: 5V3A;9V3A;12V3A;15V3A;20V2.25A; PPS:5V-11V 4.05A
		42W: 5V3A;9V3A;12V3A;15V2.8A;20V2.1A; PPS:5V-11V 3.8A
		30W: 5V3A;9V3A;12V2.5A;15V2A;20V1.5A; PPS:5-11V 3A(30Wmax);
		18W: 5V3A;9V2A;12V1.5A;
PPS will be adjusted according to market demand, and only the PPS table will be updated in the future. Xinspower. has the final interpretation right! PPS 根据市场需求会有调整, 后续只更新 PPS 表, 新斯宝拥有最终解释权!		

3.3. * Energy efficiency characteristics/能效特性.

Item 项目	Specification 规范	The six-level energy efficiency standard value for multi-mouth products/多口产品六级能效标准值	Max 最大		
Standby Power 待机功耗	At 115Vac/60Hz and 230Vac/50Hz input voltage 在 115Vac/60Hz 和 230Vac/50Hz 输入电压 (热机 20 分钟后测试)		0.3W		
Average efficiency 平均效率	Normal input & output at 115Vac 60Hz / 230Vac 50Hz 25%,50%,75%,100%load (USB terminal) 额定输入电压 & 输出负载分别为 115Vac 60Hz/230Vac 50Hz 25%,50%,75%,100%情况平均效率(USB 端口) (热机 20 分钟后测试)	C1/C2	5V3A	≥76.41%	---
			9V3A	≥80.82%	---
			12V3A	≥82.98%	---
			15V3A	≥84.65%	---
			20V3.25A	≥86.00%	---
C1+C2 15W+15W	C1 (5V3A) C2 (5V3A)	≥81.61%	---		
	C1 (20V1.5A) C2 (20V1.5A)	≥86.00%	---		
C1+C2 30W+30W	C1 (20V1.5A) C2 (20V1.5A)	≥86.00%	---		
C1+C2 45W+18W	C1 (20V2.25A) C2 (12V1.5A)	≥86.00%	---		
PF value PF 值	Full load input/output at 115 and 230Vac 在 115 和 230Vac 的输入/输出满载	---N/A	---		

3.4. * Output ripple/输出纹波

5V/9V/12V/15V/20V output voltage ripple 5V/9V/12V/15V/20V 输出电压纹波	200mV (Max)	Measurement is done by 20MHz bandwidth oscilloscope and the output paralleled a 0.1uF ceramic capacitor and a 10uF electrolysis capacitor. (Under the condition of rated input and rated output) 量测时示波器选用 20MHz 带宽限制,输出端要并联一颗 0.1uF 的陶瓷电容和一颗 10uF 的电解电容. (在额定输入及输出的条件下检测)
---	----------------	--

3.5. * Protocol compatibility/ 协议兼容性

Type-C1/C2	<input checked="" type="checkbox"/> QC2.0	<input checked="" type="checkbox"/> QC3.0	<input type="checkbox"/> QC4.0	<input checked="" type="checkbox"/> QC4.0+
------------	---	---	--------------------------------	--

(Support)	<input checked="" type="checkbox"/> PD2.0 <input checked="" type="checkbox"/> PD3.0 <input checked="" type="checkbox"/> PPS
	<input checked="" type="checkbox"/> BC1.2 <input checked="" type="checkbox"/> Samsung 2.0A <input checked="" type="checkbox"/> APPLE 2.4A
	<input checked="" type="checkbox"/> FCP <input checked="" type="checkbox"/> SCP <input type="checkbox"/> VOOC
	<input checked="" type="checkbox"/> PE1.0 <input checked="" type="checkbox"/> PE2.0
	<input checked="" type="checkbox"/> AFC <input type="checkbox"/> 其它
	Remarks/备注:

3.6. Protection function test 保护功能测试

port output / 输出	Remarks 备注
* Single port short circuit protection 短路保护	Short circuit will enter the burp protection mode, and will automatically recover after the short circuit disappears. 短路时将会进入打嗝保护模式，短路消失后会自动恢复
* Start delay time 启动延迟时间	2s max at 115Vac to 230Vac input & full load 满载状态下最大 2 秒
Rise time 上升时间	40ms max at 115Vac input and max load output. 当输入 115Vac 和输出最大负载时，最大上升时间为 40ms max
Hold time/保持时间	a. 10ms min at full load & 115Vac/60Hz input, turn off at worst case 在最差情况关机 b. 20ms min at full load & 230Vac/50Hz input, turn off at worst case 在最差情况关机
Output Overcharge/Undecharge 输出过冲/欠冲	10% max when power supply turn on/off 在电源开启或关闭的时候，最大 10%
Output Load Transient Response 输出负载瞬态响应	Output voltage within $\pm 5\%$, load step from 25% to 50% to 25%, 50% to 75% to 50%, R/S: 0.25A/uS Transient response recovery time :200uS Dynamic response overshoot: $\pm 5\%$ 输出电压在 $\pm 5\%$ 之间，负载变化：从 25%到 50%到 25%，50%到 75%到 50%，斜率：0.25A/uS，动态响应恢复时间：200uS，动态响应过冲 $\pm 5\%$
Over voltage protection 过压保护	The output voltage shall be protected by internal clamped IC 输出电压由内部钳位 IC 保护
* Total output short circuit power 总输出短路功率	When there is a short circuit, the output power is less than 5W and it will not damage the product. After the short circuit disappears, it will resume automatically. 当输出短路时功率小于 5W，但不会损坏产品，短路消失后会自动恢复正常。

4. Environment Requirements/环境要求

4.1. Operating Temperature and Relative Humidity/操作温/湿度要求

0°C to +25°C

10%RH to 90%RH

4.2. Storage Temperature and Relative Humidity/存储温/湿度要求

-20°C to +80°C

5%RH to 95%RH non-condensing @ Sea level shall be low 2,000 meter/低于 2,000 米.

4.3. Vibration/振动

10 to 200Hz sweep at a constant acceleration of 1.0G(Breadth: 3.5mm) for 0.5Hour for each of the perpendicular axes X, Y, Z

扫描频率: 10 to 200Hz, 加速度: 1.0G(位移: 3.5mm), X, Y, Z 三垂直坐标轴向各振动 0.5 小时

4.4. * Drop/跌落

At the most dis-advantageous angle, the drop height is 100cm, drop it to the hardwood board 3 times, the pin might be bent and the shell might be injured, but the appearance can not be structurally damaged and it should work normally.

以最不利的角度, 跌落高度 100 厘米, 共 3 次, 跌落到硬木板上, 插脚可以弯曲, 外壳可以有伤但外观不能有结构性损毁, 能正常工作。

5. Reliability Requirements/可靠性要求

5.1. * Burn-in/老化

The product must undergo 100% burn-in before shipment to ensure the quality.

产品在出货前必须经过 100%的煲机, 以保证产品的品质。

5.2. MTBF

The MTBF shall be at least 30,000 hours at 25°C max and normal input condition

在正常输入和环境温度最高为 25 摄氏度的情况下, 平均故障间隔时间至少是 30000 小时

6. EMI/EMS Standards 标准

6.1. EMI Standards/EMI 标准

Certificate	Country/国家	Standard/标准
<input checked="" type="checkbox"/> FCC	USA/美国	<input checked="" type="checkbox"/> FCC PART 15B
<input type="checkbox"/> CE	Europe/欧洲	<input type="checkbox"/> EN55032 EN55024 EN61000-3-2 EN61000-3-3
<input type="checkbox"/> C-Tick	Australia/澳洲	<input type="checkbox"/> AS/NZS CISPR22
<input type="checkbox"/> KCC	Korea/韩国	<input type="checkbox"/> K32/K35
<input type="checkbox"/> PSE	Japan/日本	<input type="checkbox"/> J55032
<input type="checkbox"/> CCC	China/中国	<input type="checkbox"/> GB17625.1 & GB9254

6.2. EMS Standards/EMS 标准

6-2-1 EN 61000-4-2,electrostatic discharge(ESD) requirement/静电抗扰度要求

Discharge characteristic/静电规格	Test Condition/测试条件	Test criteria/测试标准
Air discharge/空气放电	+/-8KV	B
Contact discharge/接触放电	+/-4KV	B

6-2-2 EN 61000-4-3,radiated electromagnetic field susceptibility(rs)/辐射骚扰场强

Test level/测试条件	Test criteria/测试标准
3V/m (r.m.s)	B
80-1000MHz,80%AM(1KHz) sine-wave	

6-2-3 EN 61000-4-4,electric fast transients(burst) immunity requirement/电快速瞬变脉冲群

Coupling/测试端口	Test level/测试条件	Test criteria/测试标准
AC-input/交流输入	0.5KV	A
AC-input/交流输入	1KV	B

6-2-4 EN 61000-4-5,surge capability requirement/浪涌抗扰度要求

Surge voltage/雷击电压	Test criteria/测试标准
Common mode/共模 +/-2KV	A
Differential mode/差模 +/-1KV	

6-2-5 EN 61000-4-6, Induced radio frequency fields conducted disturbances immunity requirement/电源端子传导骚扰实验

Test level/测试条件	Test criteria/测试标准
3V	B
0.15-80 MHz,80%AM(1KHz)	

6-2-6 Assessment criteria /评估标准

Acceptance criteria 可接受标准	Performance 性能
A	Agreed operational behavior within the specified limits 性能不允许变化；如果性能会发生变化，则变化的范围在产品规格书规定的范围内。
B	Time limited functional diminishment or malfunction during the tests is permitted. The function is self-reactivated by the unit following completion of the tests. 设备在测试过程中,性能降低允许在产品规格书要求范围内,干扰消除后,

	设备能恢复正常,不允许出现复位和任何方式的人工干预.
C	Malfunction is permitted. The function can be reactivated either by reconnection to the mains or by operator intervention. During the test, only the primary protective device is allowed to be damaged. the device can be restored to normal, After the damaged primary protective device is replaced, 在测试过程中, 设备允许出现业务中断, 测试完毕后允许自行恢复或者人工干预恢复(包括硬件上干预); 测试中只允许初级防护器件损坏, 并且更换损坏的初级防护器件后, 设备能恢复正常

7. Safety Standards/安规标准

7.1. * Dielectric Strength(Hi-pot)/介电耐压强度(高压)

Primary to Secondary: 3000Vac / 5mA Max / 60 second

初级对次级: 3000Vac / 5mA Max / 60 秒

7.2. * Leakage Current/漏电流

Safety Classification/安全等级	Test condition/Test condition/测试方法
<input type="checkbox"/> Class I	3.5mA @ normal input voltage & frequency
<input checked="" type="checkbox"/> Class II	0.25mA @ normal input voltage & frequency

7.3. Insulation Resistance/绝缘阻抗

50MΩ min. at primary to secondary add 500Vdc test voltage

在初级与次级间加 500Vdc 进行测试

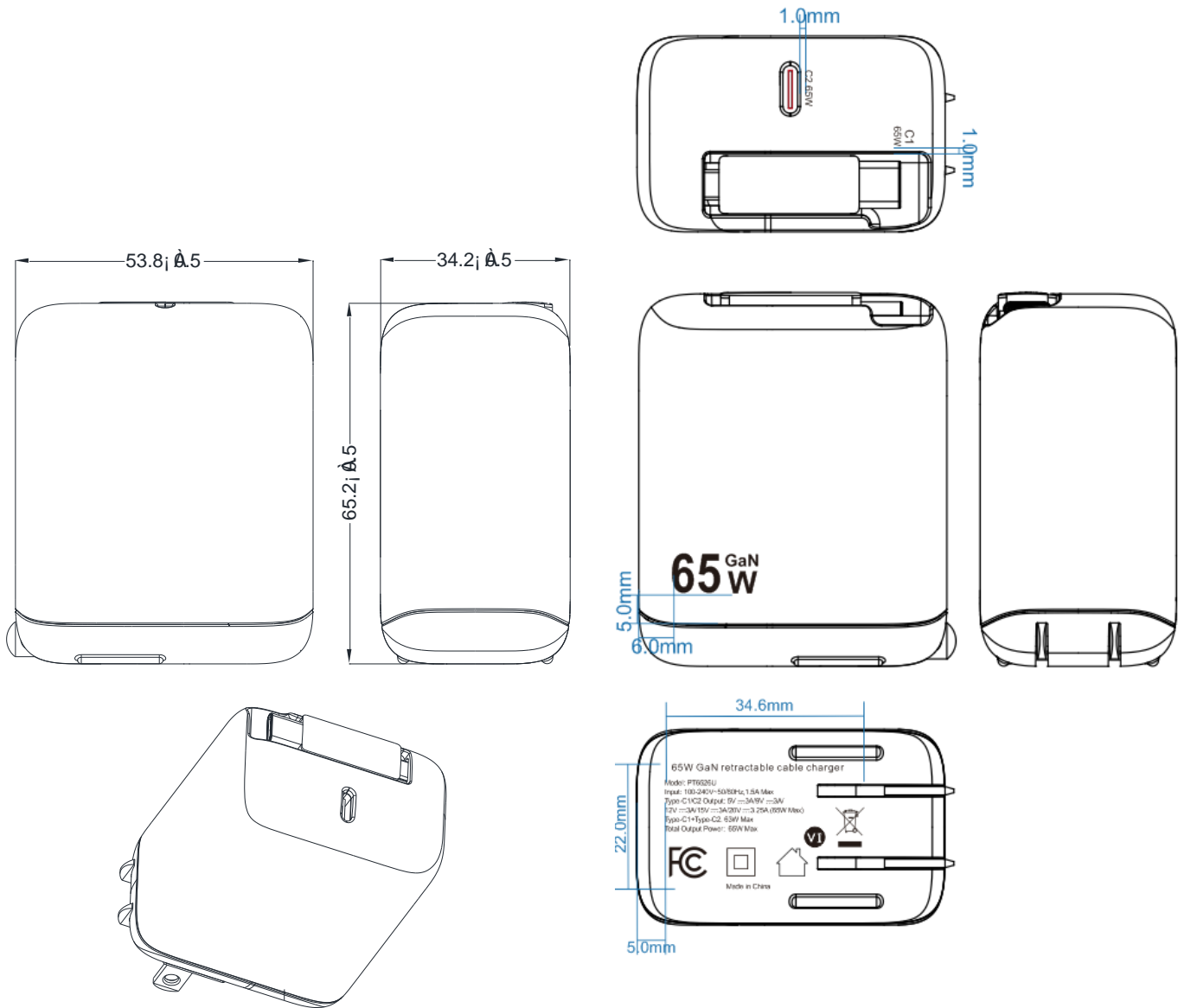
7.4. Regulatory Standards/安规标准

Certificate	Country/国家	Standard/标准
<input checked="" type="checkbox"/> UL /cUL	USA/美国	<input checked="" type="checkbox"/> UL62368-1
<input type="checkbox"/> CE+BS1363	British/英国	<input type="checkbox"/> EN62368-1+BS1363
<input type="checkbox"/> CE	Europe/欧洲	<input type="checkbox"/> EN62368-1
<input type="checkbox"/> SAA	Australia/澳洲	<input type="checkbox"/> AS/NZS60950-1
<input type="checkbox"/> PSE	Japan/日本	<input type="checkbox"/> J62368
<input type="checkbox"/> S-Mark	Argentina/阿根廷	<input type="checkbox"/> IEC60950-1
<input type="checkbox"/> CCC	China/中国	<input type="checkbox"/> GB4943.1
<input type="checkbox"/> KC	Korea/韩国	<input type="checkbox"/> K60950-1

<input type="checkbox"/> PSB	Singapore /新加坡	<input type="checkbox"/> IEC60950-1
------------------------------	----------------	-------------------------------------

8. Match. Outline Drawing/外观示意图

CCC/中规 C+C 2plug wall mount/插墙式 (white House/白色外壳)



外壳材质/ shell material: PC 耐温: 120°C/ temperature resistance 120°C

PC+ABS 耐温: 95°C/ temperature resistance 95°C

备注: PC 材质符合球压测试要求/ remark: PC material meets the requirement of spherical pressure test.

9. Nameplate Drawing 铭牌示意图

Laser etching 镭雕

Pad printing 移印

料号: 版本:

34.6mm

65W GaN retractable cable charger

Model: PT6526U

Input: 100-240V~50/60Hz, 1.5A Max

Type-C1/C2 Output: 5V --- 3A/9V --- 3A/

12V --- 3A/15V --- 3A/20V --- 3.25A (65W Max)

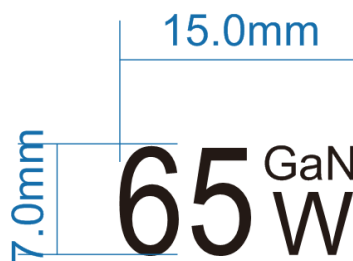
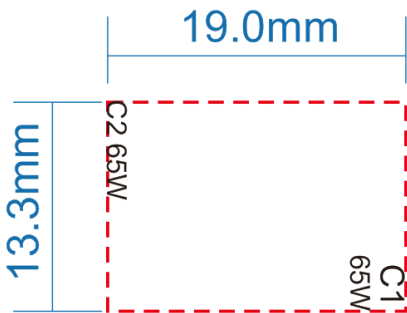
Type-C1+Type-C2: 63W Max

Total Output Power: 65W Max

22.0mm



Made in China



10. Package Drawing/包装示意图